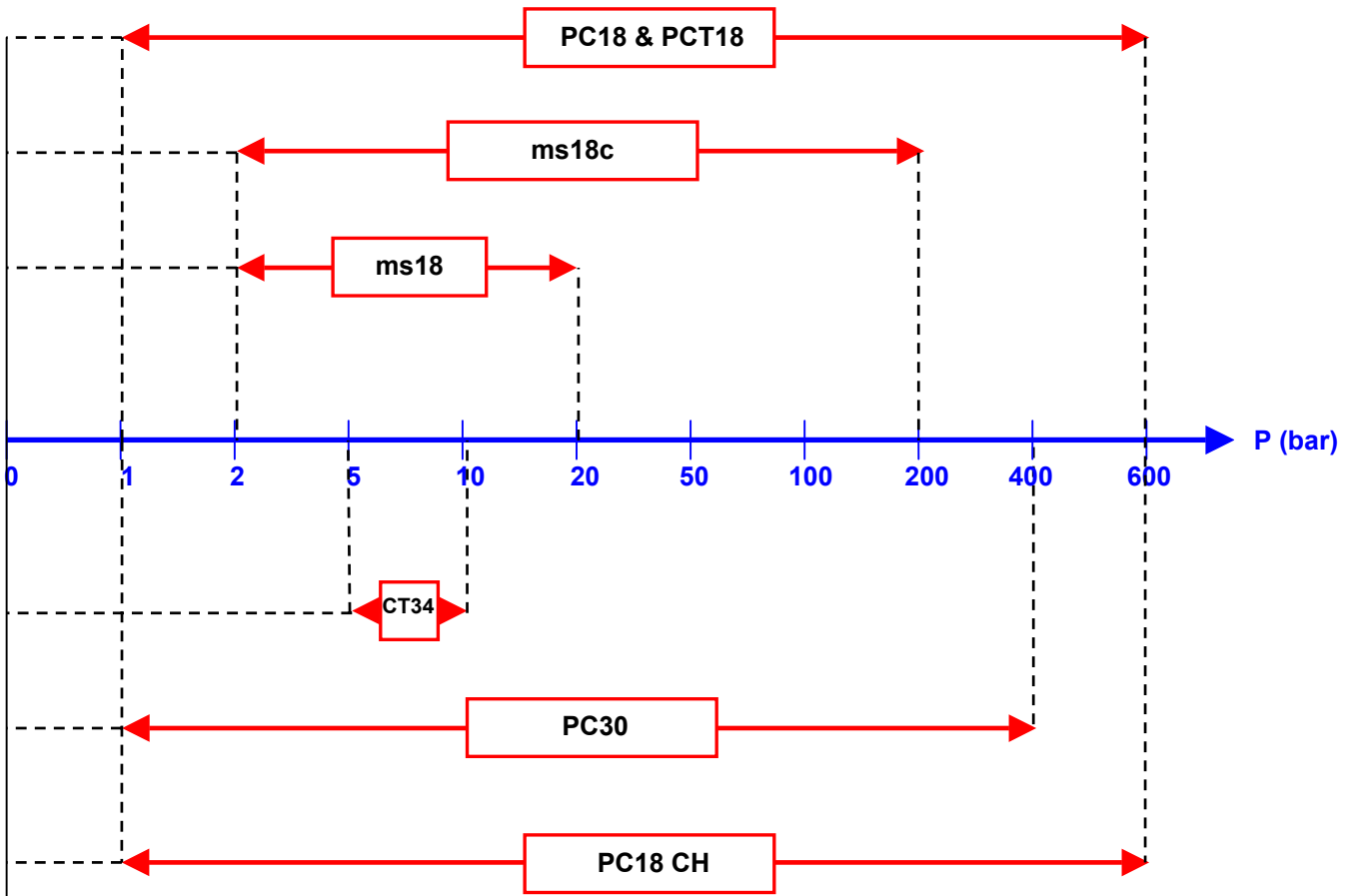


SENSORS SELECTION DIAGRAM

Part 1 : PRESSURE RANGES



All Models except ms18 & ms18c are available in both Absolute and Gage (Relative) versions.

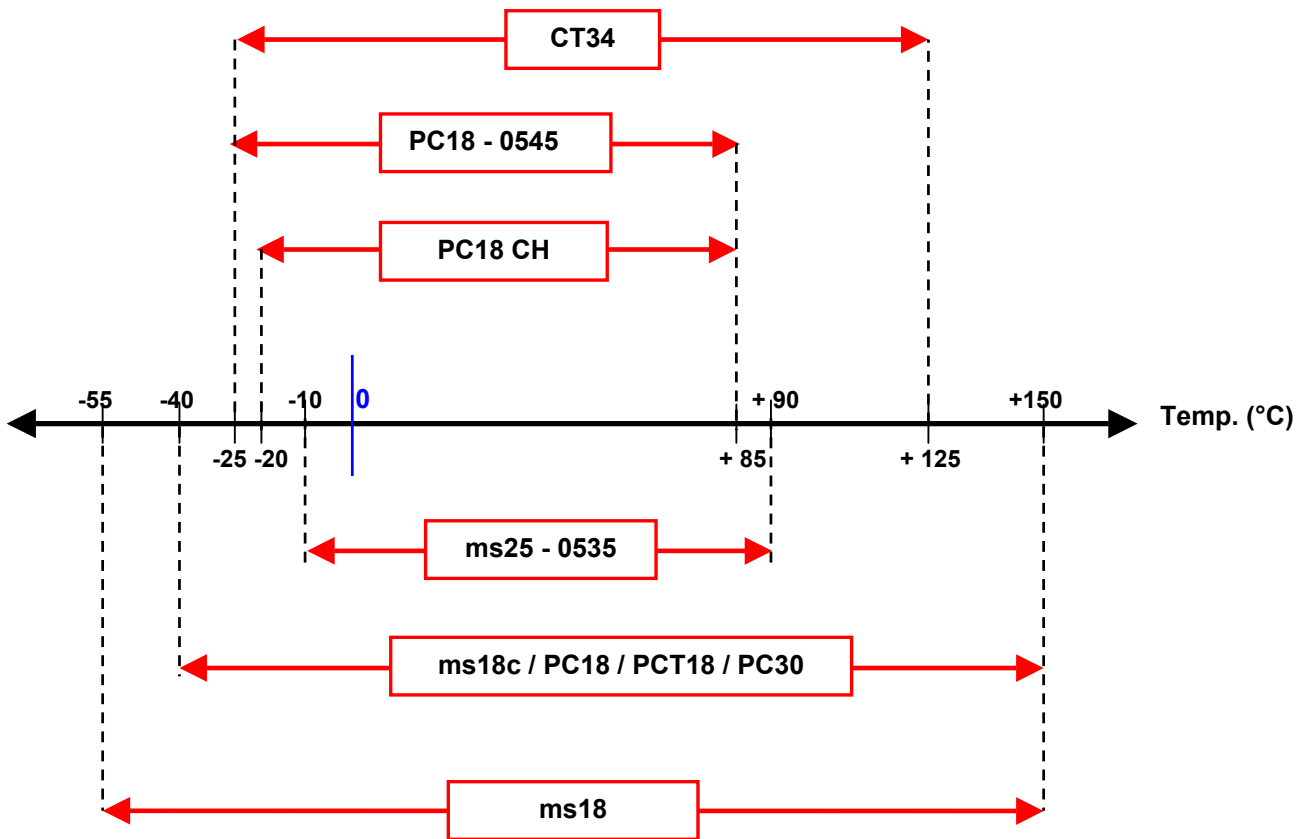
Reading Example :

Looking at the PC30 Model, for instance, means that it is available from 0-1 bar Full Scale up to 0-400 bar Full Scale (A or G).

Refer to individual Data Sheets for other characteristics.

SENSORS SELECTION DIAGRAM

Part 2 : TEMPERATURE RANGES



Reading Example :

PC18 / PCT18 / PC30 & ms18c Models have an operating Temperature Range from – 40 up to +150 °C

Refer to individual Data Sheets for other characteristics.